



BOLT CUTTER with BENDABLE HANDLE

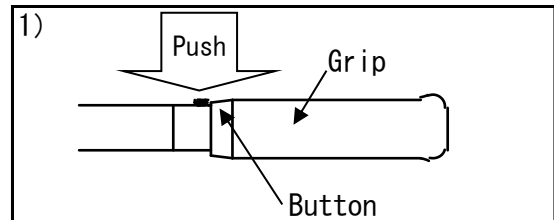


- Bolt Cutter with Bendable Handle for cutting material stably and safely.

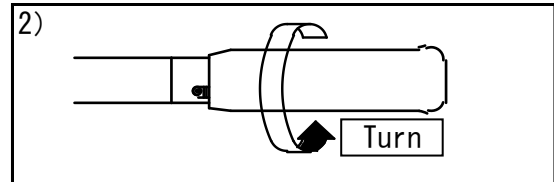
	<p>Warning</p> <ul style="list-style-type: none"> • Wear safety glasses and gloves. • Never use unless Grip fixed. • Confirm if Grip set on the ground. • Remove stains and lubricate for storage after used. • Stop using if any abnormal or damage is found.
--	--

- How to bend Grip

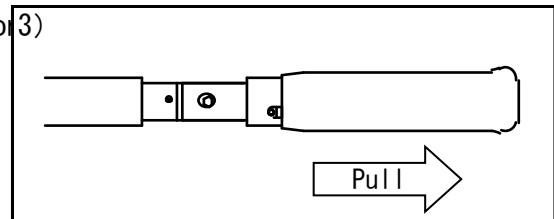
1) Push Button on Handle



2) Turn Grip to Left while pushing Button.

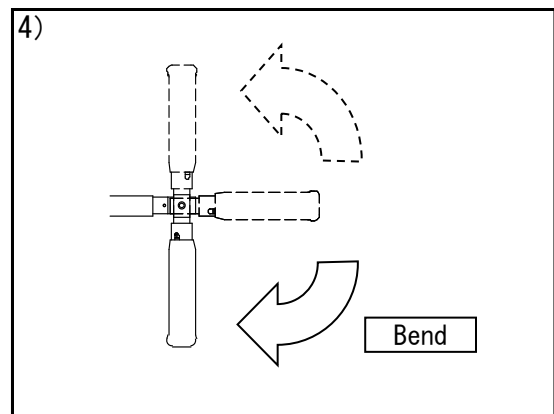


3) Release Button and pull Grip in the direction



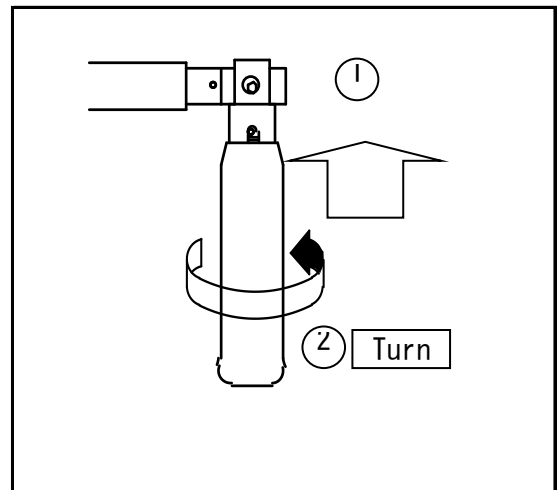
4) Turn Grip 90 degree to Right or Left.

Note: Never use unless Grip fixed.



- 5) Push Grip in the direction of an arrow ① and turn to right ② until it clicks.

Note: Never use unless Grip fixed.



- 6) To return Grip, invert the above procedures after removing stains and lubricate moving parts.



- By bending Grip and set it on the ground, cutting materials stably and safely.
※ It is also possible to cut material without bending Grip.

